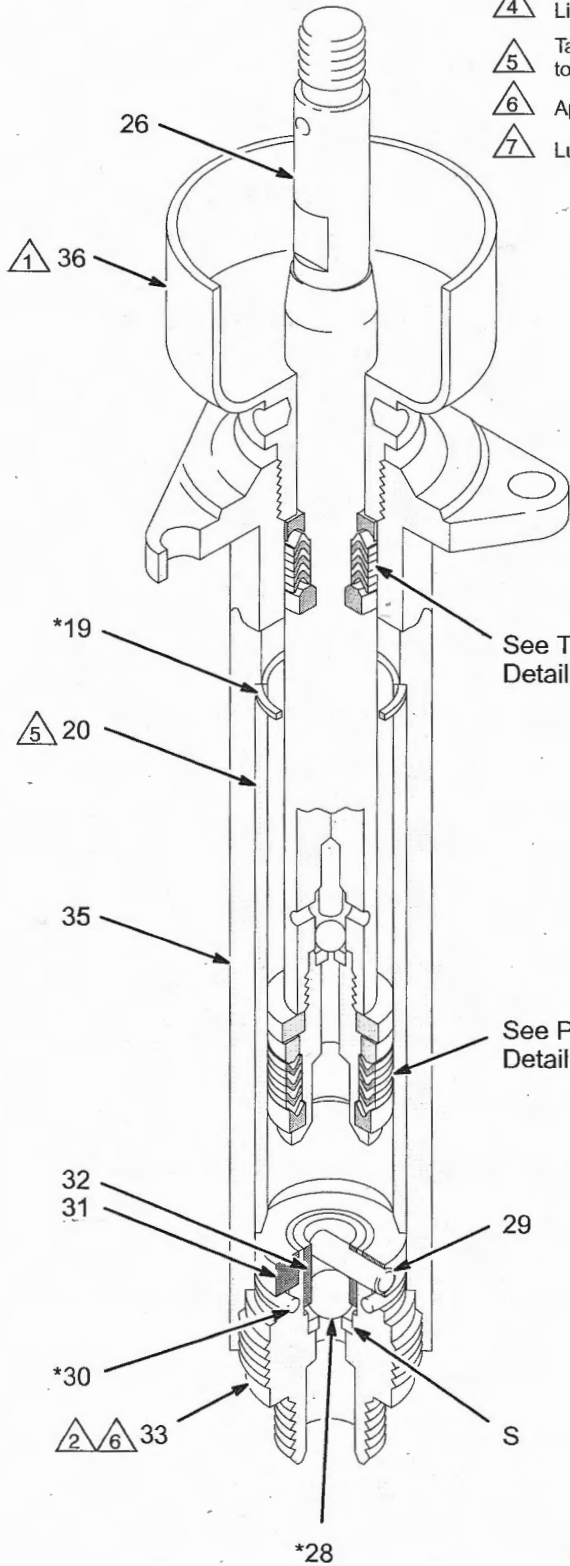


Service

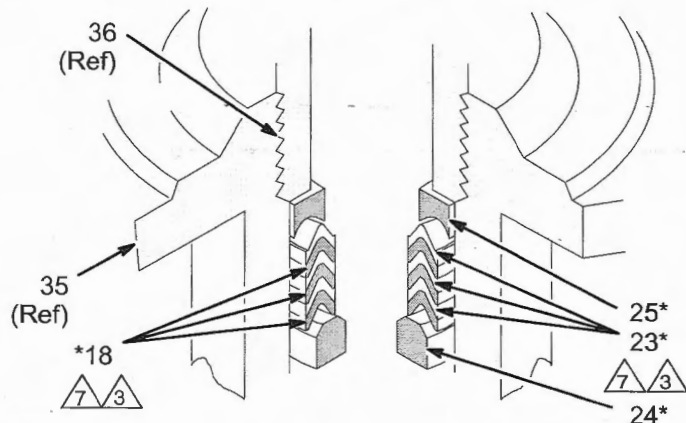
- 1 Torque to 18–20 ft-lb (24–27 N.m)
- 2 Torque to 55–65 ft-lb (74–88 N.m)
- 3 Lips of v-packings must face down.
- 4 Lips of v-packings must face up.
- 5 Tapered end must face down, toward pump intake (33).
- 6 Apply thread lubricant.
- 7 Lubricate.



See Throat Packing Detail at Right

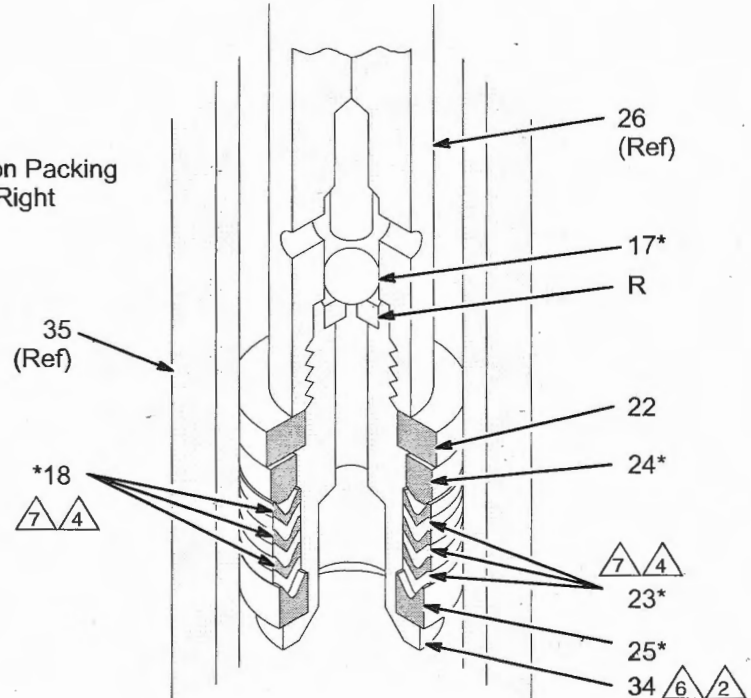
See Piston Packing Detail at Right

Throat Packing Detail



02505

Piston Packing Detail



02505

Fig. 5

02504